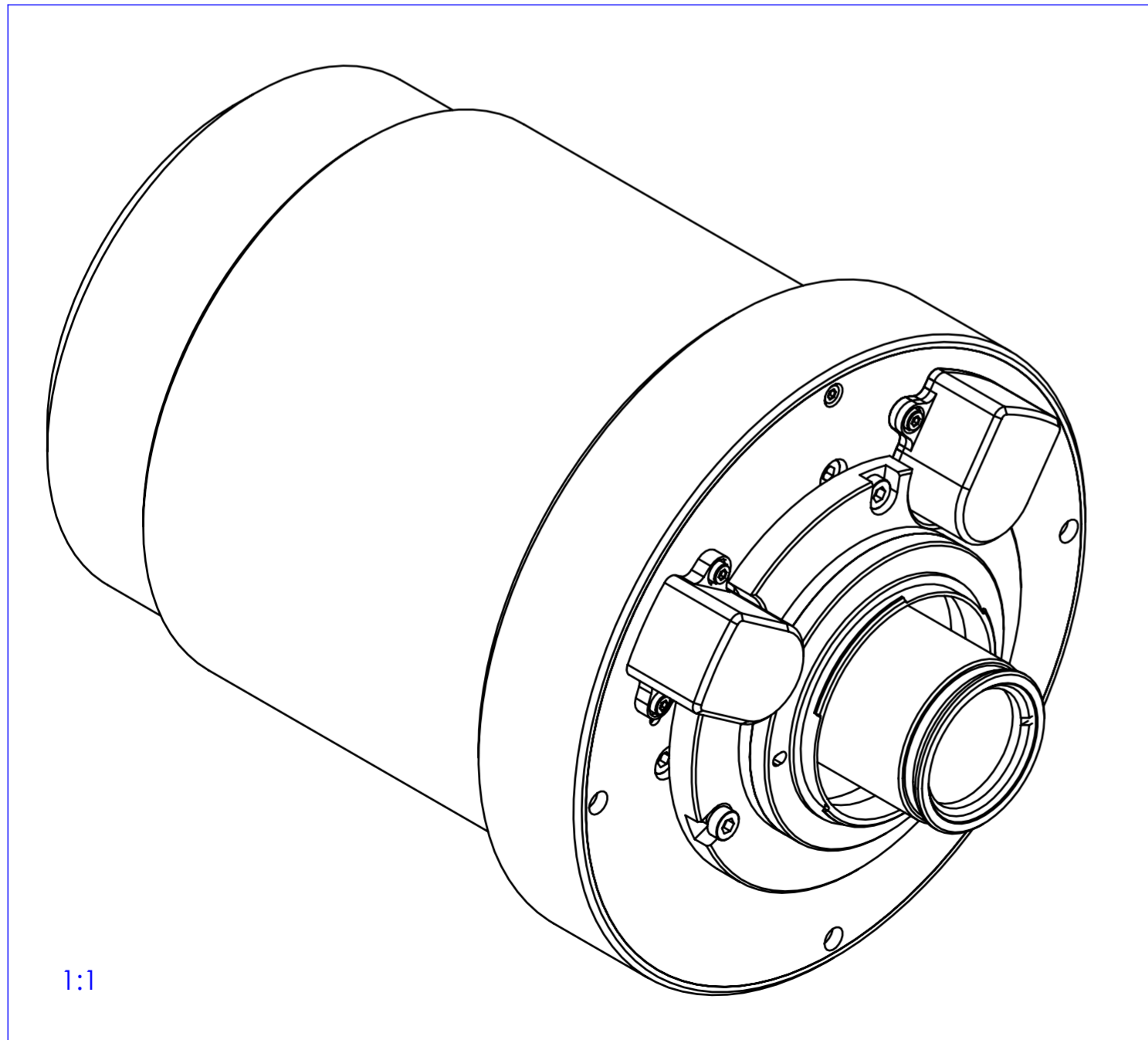
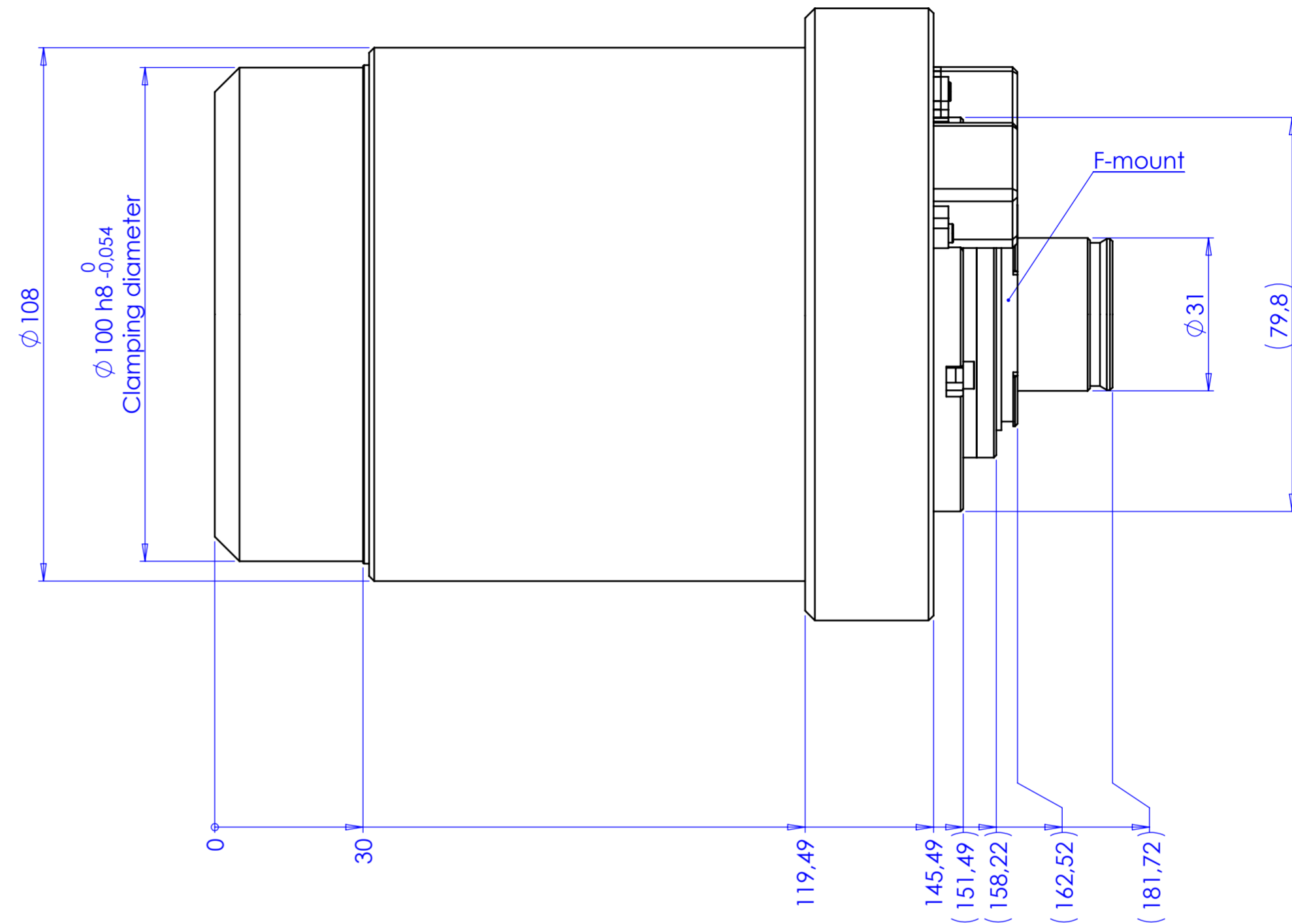
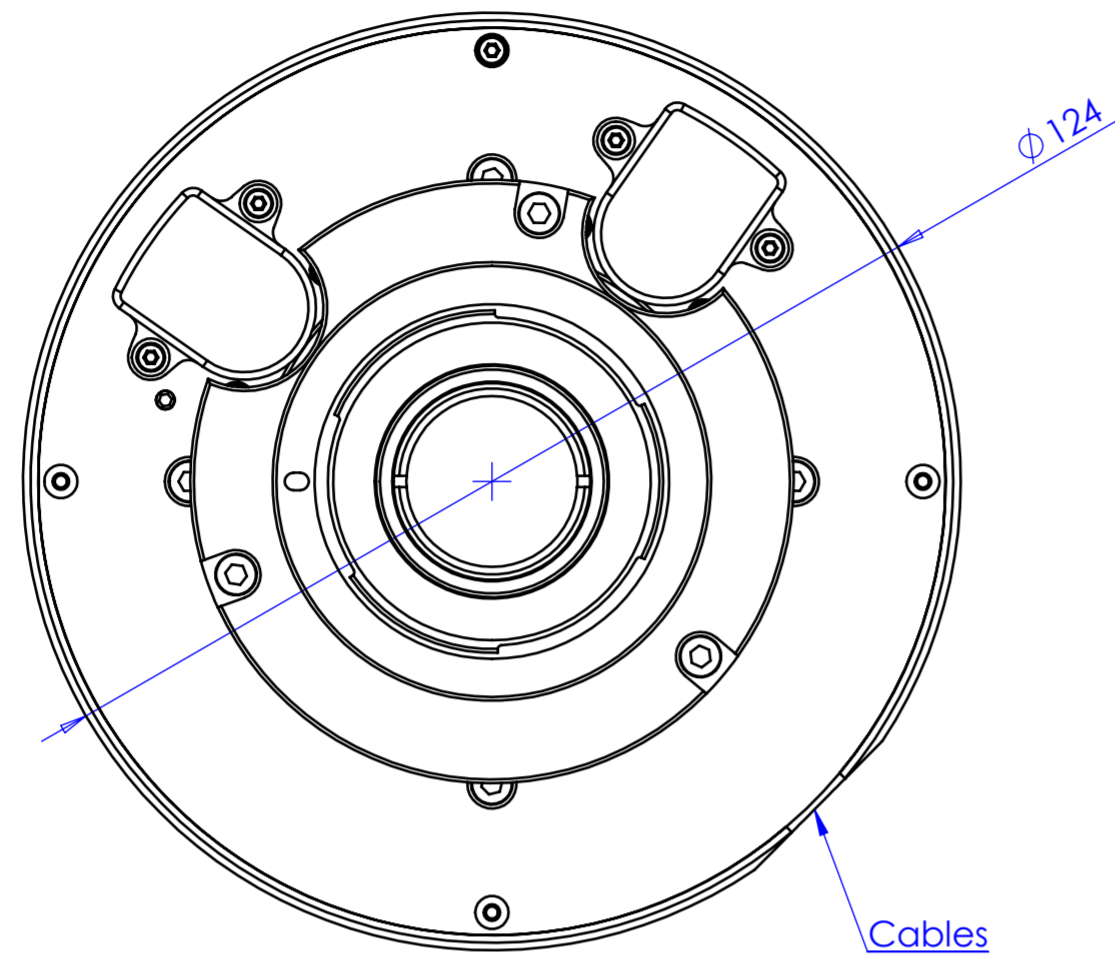



Rev No.	Description	Date	Name



Material	N.A.	Mass	1987 g	Scale	1:1
Surface treatment	N.A.	Part No.	CO24376		
Geometrical tolerance (ISO 2768-2)		Class	K	Undimensioned bevels	0.5x45°
Linear tolerance (ISO 2768-2)		Class	m	Undimensioned radii	R 0.5
0.5	>3+	>6+	>30+	>120	>400+
+3	6	30	120	+400	+1000
±0.1	±0.1	±0.2	±0.3	±0.5	±0.8
					±1.2
					±2
Date		Name		Drawing No.	
Designed 23/03/2015		Santini		DP 24376-A	
Drawn 11/08/2015		Rodella		Sheet 1/1	
Checked					
					
OPTO ENGINEERING S.r.l. - Mantova Italy - Tel. +39 0376 699111 - www.opto-engineering.com					

Secret and confidential - All rights reserved - No copy, dissemination or circulation is allowed unless specifically authorized in writing by OPTO ENGINEERING S.r.l. - Any violation shall be legally prosecuted.